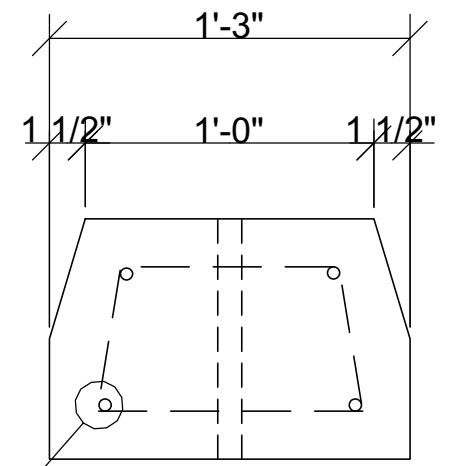
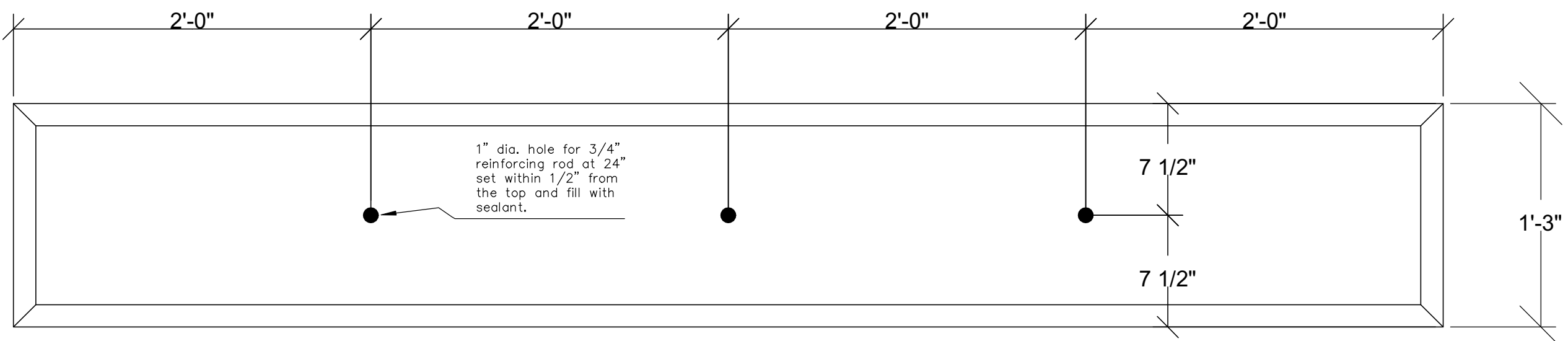


SIDE VIEW OF TRUCK CURB



SECTION

(4) #4 BARS W/(3) #3 STIRRUPS



TOP VIEW OF TRUCK CURB

PPC
 POMPILI PRECAST CONCRETE, INC.
 12307 BROADWAY AVENUE
 GARFIELD HEIGHTS, OHIO 44125
 V. 1-216-581-8080 F. 1-216-581-3910
 email: wpompili@pompiliprecastconcrete.com
 URL www.pompiliprecastconcrete.com

JOB NAME:
 THE BARK PROJECT

CUSTOMER:
 MIDWEST PARKING LOT CO.

SMOOTH AS CAST FINISH

MIX DESIGN: AIR ENTRAINED
 GREY, 5000 PSI

WEIGHT EACH: 1180 LBS.