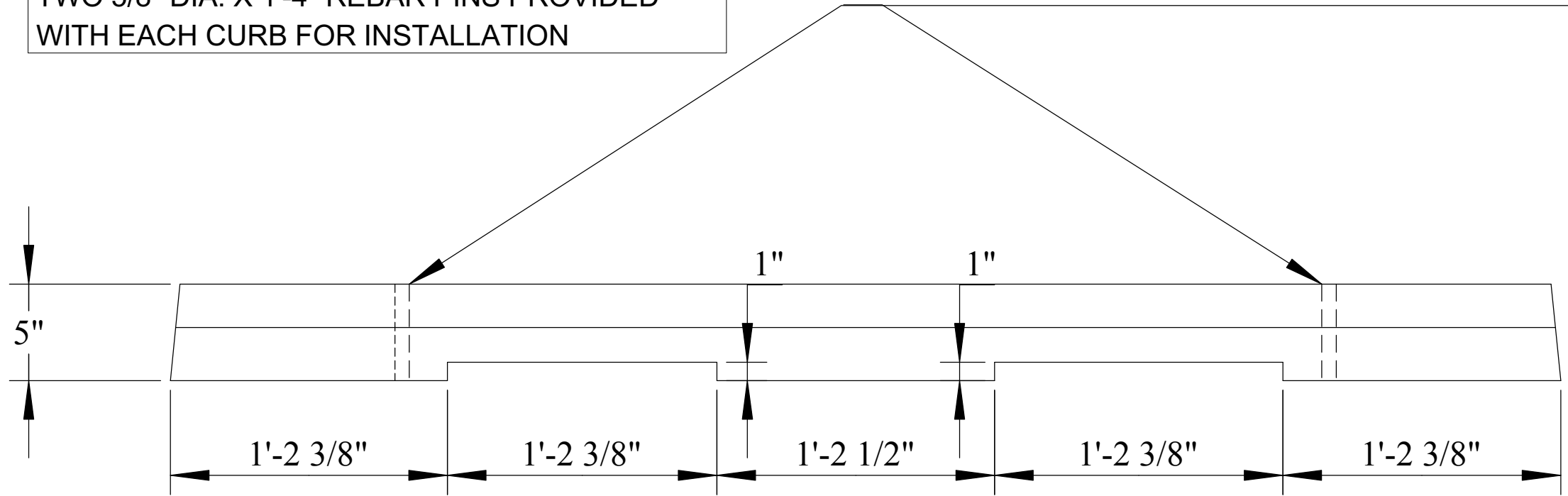
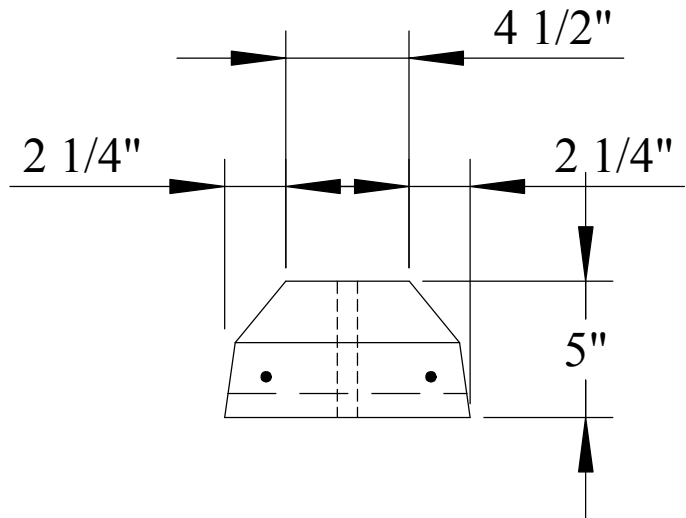


CURBS ARE REINFORCED WITH TWO #3 REBARS  
 TWO 5/8" DIA. X 1'-4" REBAR PINS PROVIDED  
 WITH EACH CURB FOR INSTALLATION

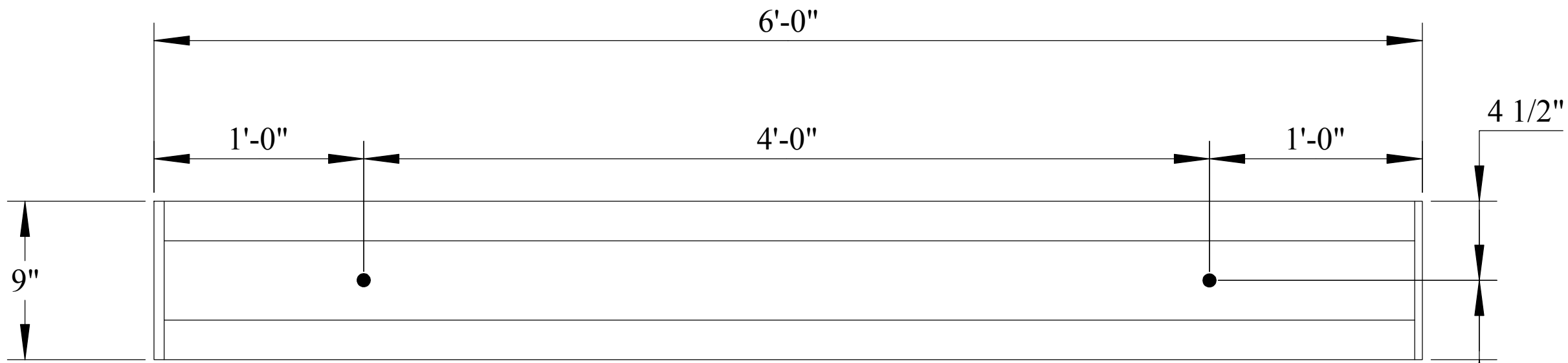
3/4" DIA. PIN HOLE FOR 5/8" DIA. REBAR PINS.



SIDE ELEVATION



SECTION



TOP VIEW

**PPC**  
 POMPILI PRECAST CONCRETE, INC.  
 12307 BROADWAY AVENUE  
 GARFIELD HEIGHTS, OHIO 44125  
 V. 1-216-581-8080 F. 1-216-581-3910  
 email: wpompili@pompiliprecastconcrete.com  
 URL www.pompiliprecastconcrete.com

**PRODUCT:**  
 6'-0" CURB WITH  
 DRAINAGE SLOTS

**CUSTOMER:**

**FINISH:** SMOOTH FORM FINISH

**MIX DESIGN:**  
 GREY 5,000 PSI  
 AIR ENTRAINED CONCRETE

**QUANTITY:**