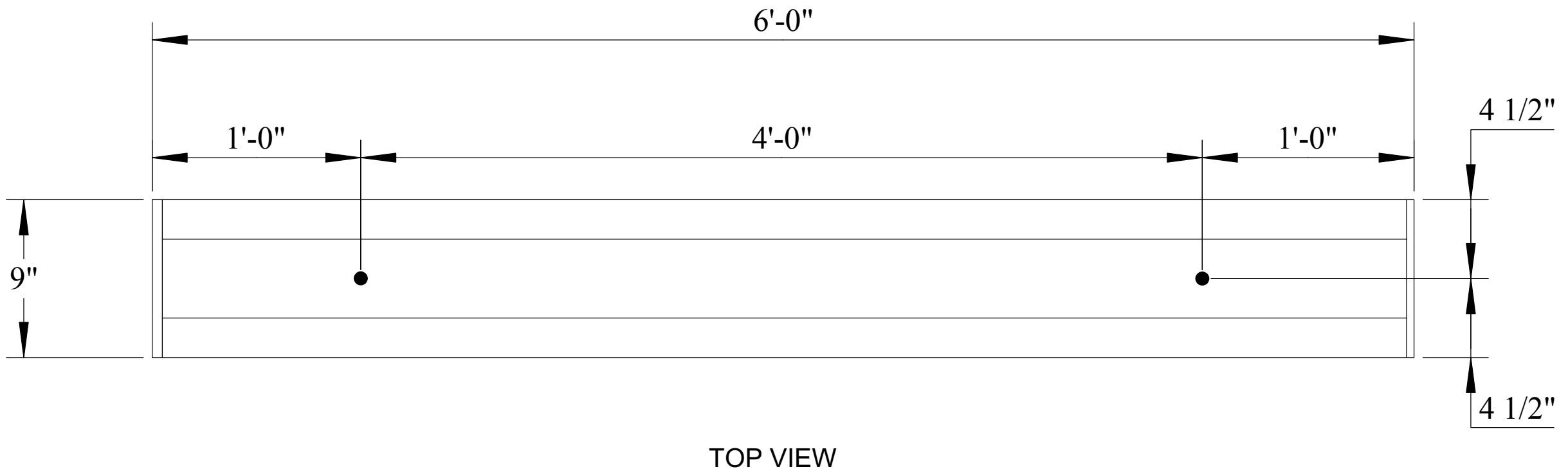
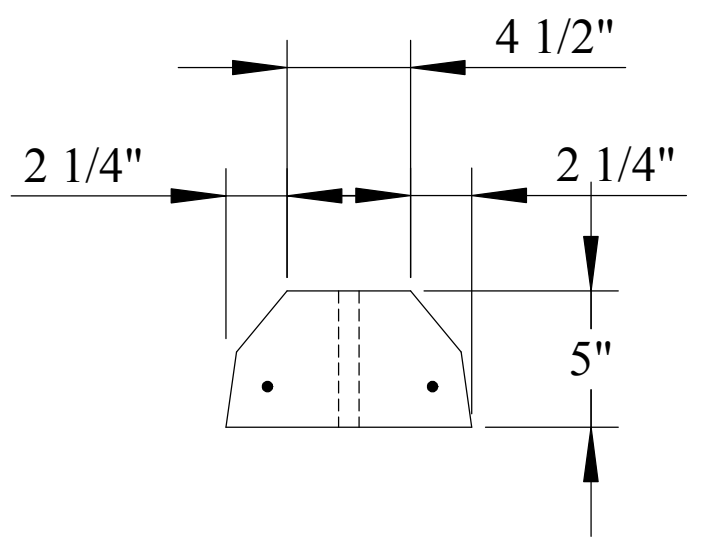
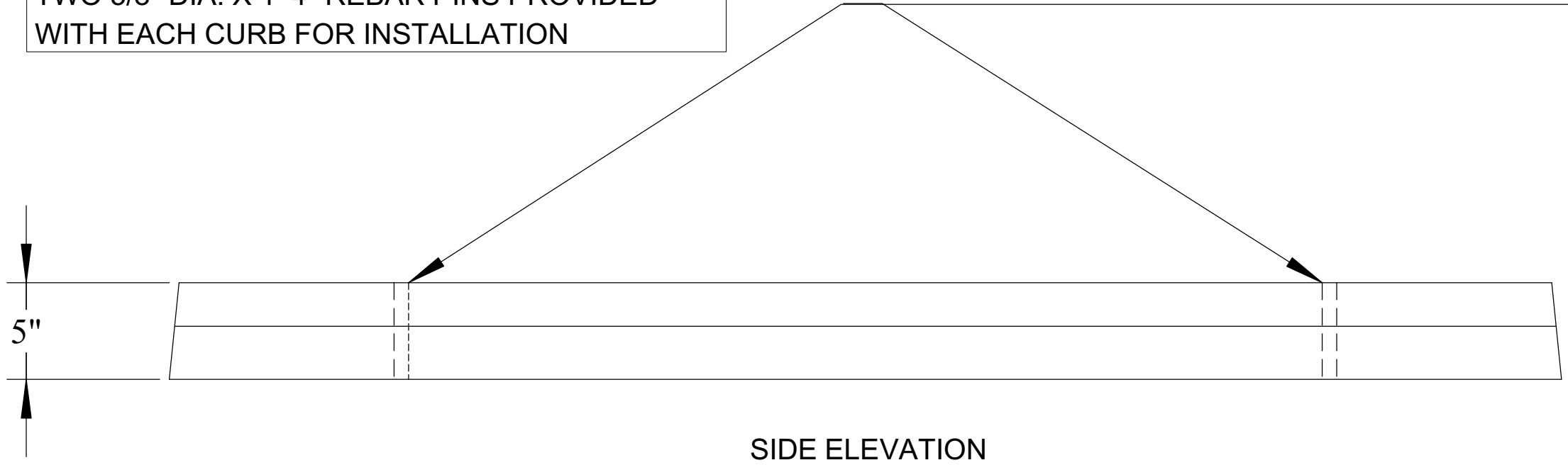


CURBS ARE REINFORCED WITH TWO #3 REBARS
 TWO 5/8" DIA. X 1'-4" REBAR PINS PROVIDED
 WITH EACH CURB FOR INSTALLATION

3/4" DIA. PIN HOLE FOR 5/8" DIA. REBAR PINS.



PPC
 POMPILI PRECAST CONCRETE, INC.
 12307 BROADWAY AVENUE
 GARFIELD HEIGHTS, OHIO 44125
 V. 1-216-581-8080 F. 1-216-581-3910
 email: wpompili@pompiliprecastconcrete.com
 URL www.pompiliprecastconcrete.com

PRODUCT:
 STANDARD 6'-0" CURB

CUSTOMER:

FINISH: SMOOTH FORM FINISH

MIX DESIGN:
 GREY 5,000 PSI
 AIR ENTRAINED CONCRETE

QUANTITY: