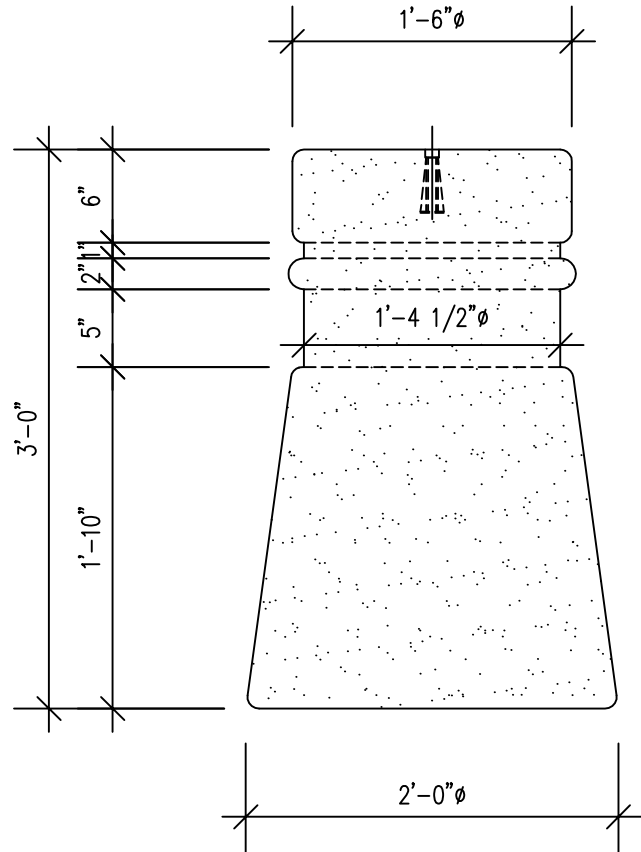
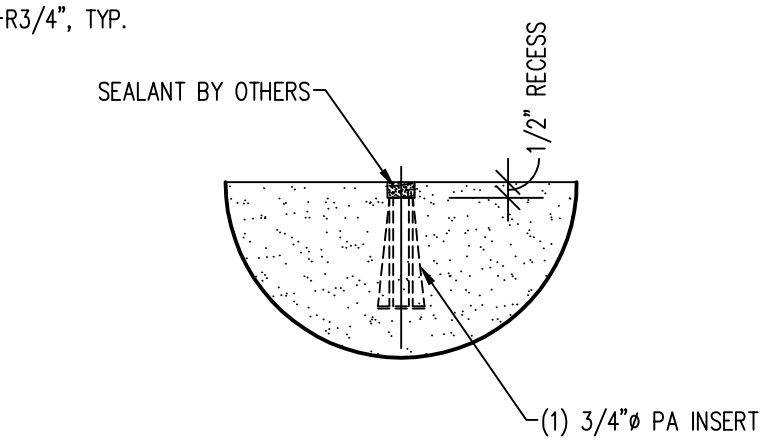


ELEVATION
SCALE 1"=1'-0"

(38) REQ'D TOTAL



SECTION
SCALE 1"=1'-0"

P.P.C.
POMPILI PRECAST CONCRETE
 12307 BROADWAY AVENUE
 GARFIELD HEIGHTS, OHIO 44125
 PHONE: (216) 581-8080
 FAX: (216) 581-3910

REV.

JOB NAME
 MAJESTIC STAR CASINO
 PITTSBURG, PA

JOB NO.

DESCRIPTION
 BOLLARD DETAILS FOR APPROVAL

DRAWN BY DATE SHT. NO.
 MIKE 3-16-2009 SK-01