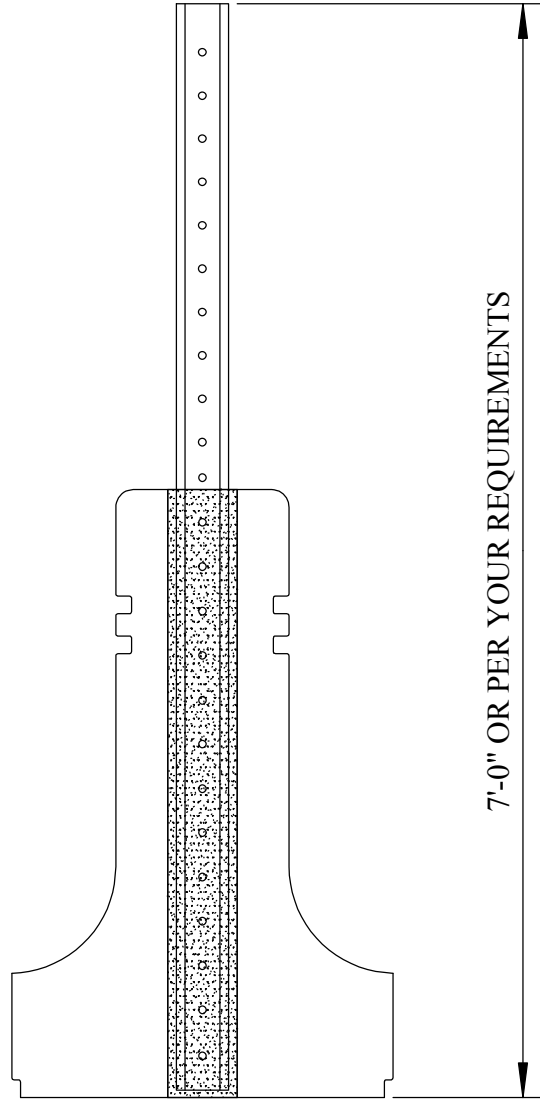
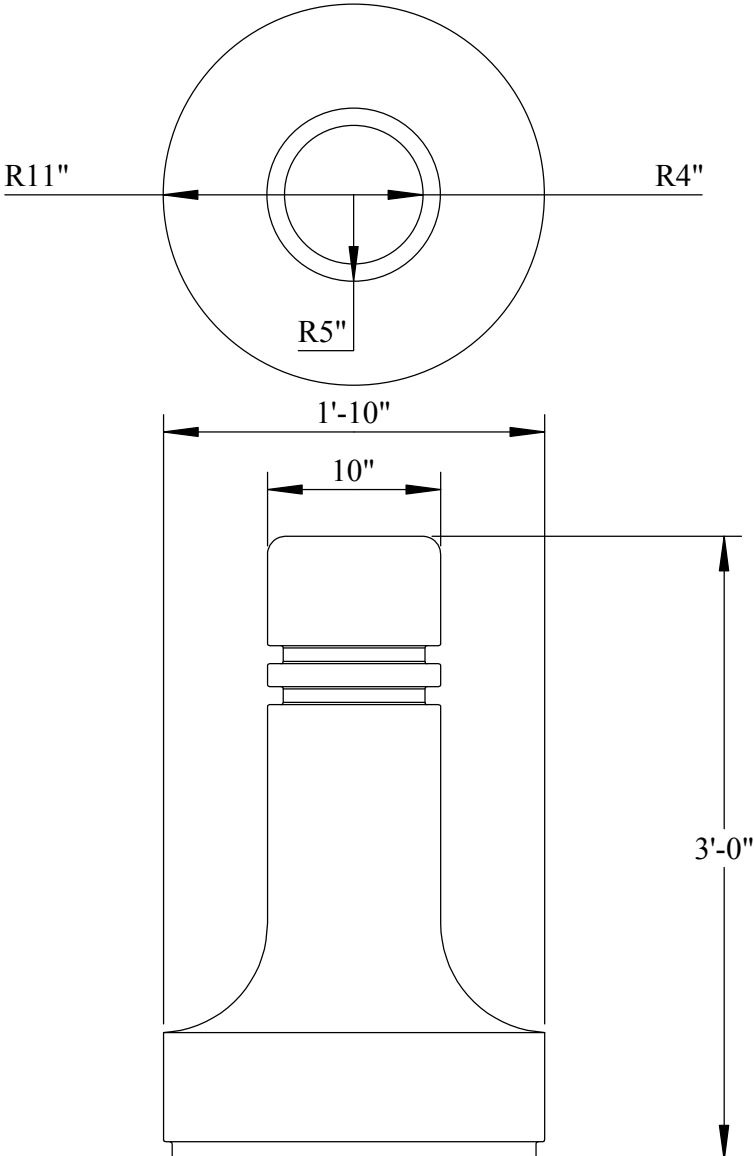


PRODUCT: BO-1

BOLLARD WITH OR
WITHOUT PERFERATED
SIGN POST, HOT DIPPED
GALVANIZED



BO-1 WITH SIGN POST



BO-1 WITHOUT SIGN POST

PPC POMPILI PRECAST CONCRETE, INC. 12307 BROADWAY AVENUE GARFIELD HEIGHTS, OHIO 44125 V. 1-216-581-8080 F. 1-216-581-3910 email: w.pompili@pompiliprecastconcrete.com URL: www.pompiliprecastconcrete.com
CUSTOMER:
FINISH:
MIX DESIGN:
QUANTITY: